

Today's Date: _____

Email, Fax or Mail this Form with full payment to process your order.

Mailbox Installation or Shipping Location:
 Name: _____ Phone: _____
 Address: _____
 Lot Number: _____ County or Township: _____
 City: _____ State: _____ Zip: _____

Bill To Address
 Name: _____
 Address: _____
 Email Address: _____
 City: _____ State: _____ Zip: _____

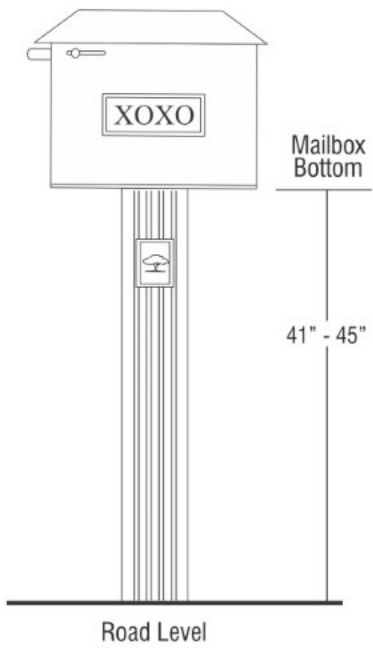
PLEASE CHOOSE FROM THE FOLLOWING OPTIONS

Complete Mailbox Unit		
<input checked="" type="checkbox"/>	Mailbox	\$703.34
<input checked="" type="checkbox"/>	Sales Tax	\$49.23
	TOTAL IF PICKING UP	\$752.57
	TOTAL IF SHIPPING	\$812.57

Mailbox Replacement Parts		
	Cast Alum Mailbox	\$519.43
	4.5ft Aluminum Post	\$178.13
	Reflective Gold Address	\$18.00
	Cast Tree Logo (2)	\$54.14
	Mailbox Flag	\$9.00
	SUBTOTAL	
	Shipping	TBD
	Installation/Labor	TBD
	Tax (7% IN or 6% KY Sales Tax)	TBD
	TOTAL	

Complete Mailbox Unit w/ Install		
<input checked="" type="checkbox"/>	Mailbox	\$703.34
<input checked="" type="checkbox"/>	Sales Tax	\$49.23
<input checked="" type="checkbox"/>	Installation	*\$125.00
	TOTAL W/ INSTALL ONLY	\$877.57
	TOTAL + REMOVAL	\$917.57
	TOTAL + TEMPORARY MB	\$907.57
	TOTAL FOR ALL	\$947.57

(* Additional charges will apply for installs out of our coverage area.)



Ask about our Refurb / Buyback program for your old mailbox.

ADDRESS TO APPEAR ON MAILBOX:

--	--	--	--	--

Payment Type: VISA Master Card American Express Discover or Check Number# _____

Card Number#: _____

Payment Amount: _____ Exp. Date: _____ Security Code: _____

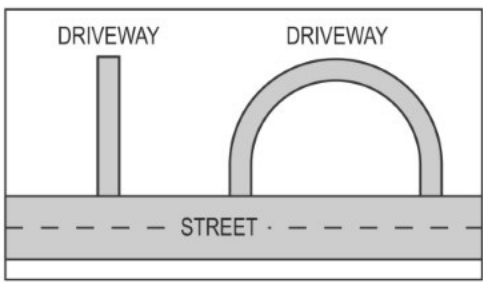
Address on Card Statement: _____

City: _____ State: _____ Zip: _____

Cardholder Name: _____

Cardholder Signature: _____

Place "X" below at Mailbox Location:



Any Irrigation Lines Must Be Shown Here
 Irrigation Lines? YES NO

Please allow 3 weeks from receipt of payment. For pickup and install orders it may take longer during times of heavy demand for our mailboxes. Site must be finish graded and ready for install to avoid additional \$85.00 trip fees. Irrigation lines must be marked on this form to avoid damage. B SIGN GROUP is not liable for damage to irrigation lines not marked on this form. Mailboxes will be installed in a manner consistent with US Postal Regulations. All mailbox orders must be prepaid and no verbal orders can be taken. \$30.00 Returned Check Fee Applicable.